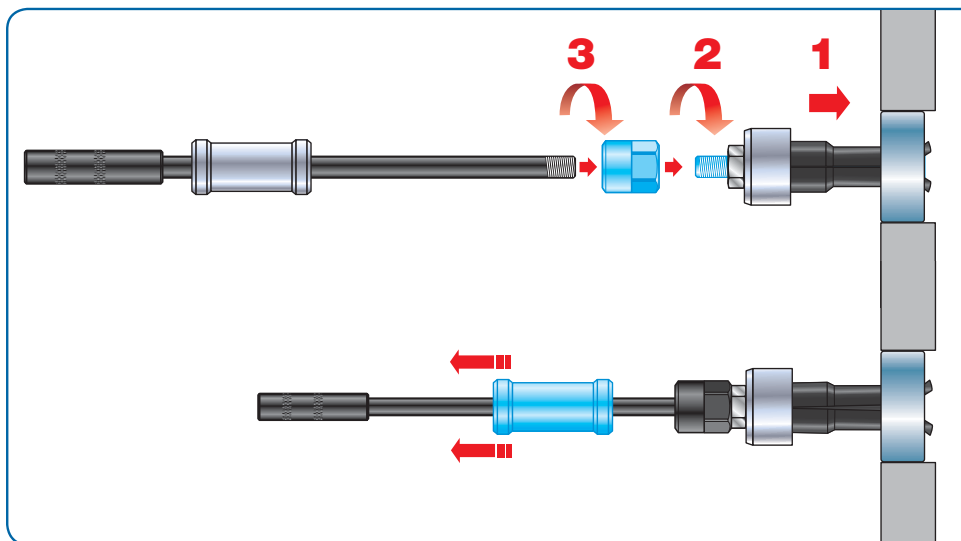
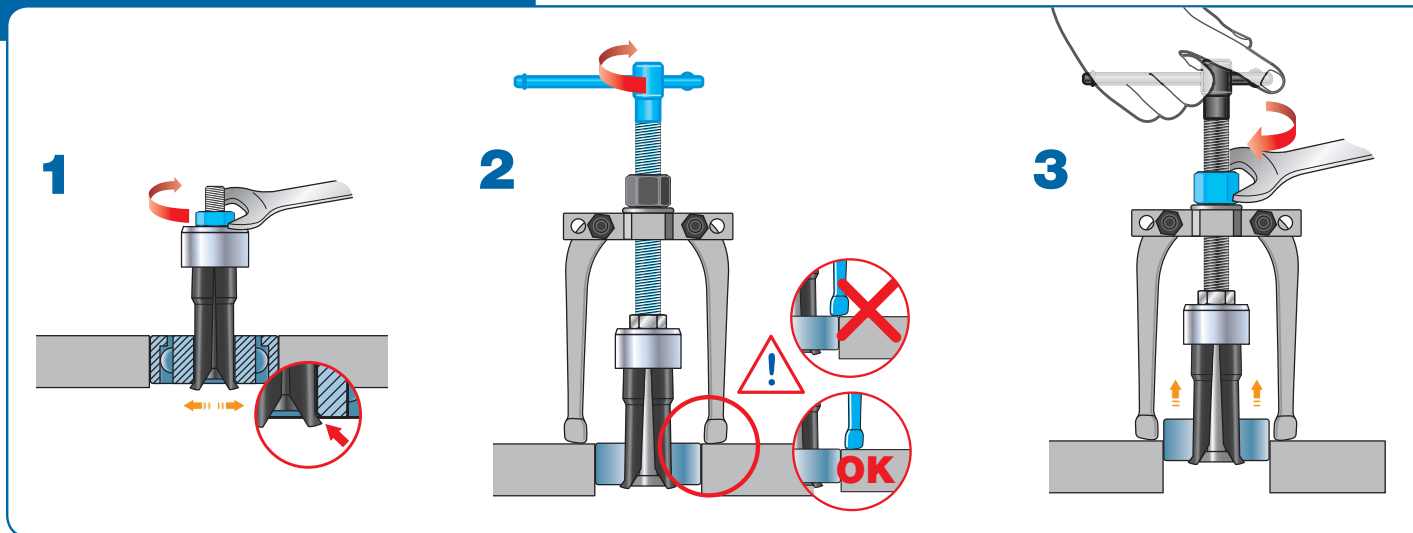


## HOW TO USE BP Set?

| Extractor       | Bearing bore Ø (mm)  |                   |
|-----------------|----------------------|-------------------|
| <b>BP 5-7</b>   | Min Ø 5<br>Max Ø 7   | <p>Position 1</p> |
| <b>BP 8-11</b>  | Min Ø 8<br>Max Ø 11  |                   |
| <b>BP 12-15</b> | Min Ø 12<br>Max Ø 15 |                   |
| <b>BP 16-19</b> | Min Ø 16<br>Max Ø 19 |                   |
| <b>BP 20-26</b> | Min Ø 20<br>Max Ø 26 |                   |
| <b>BP 28-34</b> | Min Ø 28<br>Max Ø 34 | <p>Position 2</p> |
| <b>BP 35-44</b> | Min Ø 35<br>Max Ø 44 |                   |



### SAFETY INSTRUCTIONS



Pulling force max.: 50 kN\*  
(\*Applied to BP 35-44 only)

