

2. LUBRICATION

2 / SMART BOOSTER 125

The advanced and low-cost lubrication solution, ideal for applications subject to temperature variations.

SMART BOOSTER: the low-cost model whatever the temperature.

A • DESCRIPTION

SMART BOOSTER, the first electrochemical Automatic Lubricator equipped with a reusable control unit, providing measured flow independent of the ambient temperature.

Guaranteed continuous lubricant flow, with the correct volume for your application, regardless of temperature.

This smart Automatic Lubricator is equipped with a temperature probe which adjusts pressure to distribute just the right amount of grease selected at start-up.

The duration of distribution is easy to adjust (from 1 to 12 months) simply by selecting the appropriate period on the control unit.

The control unit can be re-used several times, only the **125 cm³** grease cartridge requires replacement.





B • APPLICATIONS

Designed for the single-point lubrication of plain or rolling element type bearings, open gears, chains, ball screws, linear guide bars, etc. This model is ideal for environments facing substantial temperature variations (e.g: fans mounted under roofs) or requiring intrinsic safety (e.g: petrochemical industry).



C • CHARACTERISTICS AND BENEFITS

| | |
|---|---|
| <ul style="list-style-type: none"> Adjustable between 1 and 12 months using the re-usable touchpad control unit, with an ON/OFF function. | <ul style="list-style-type: none"> Flexible, precise and multipurpose, reducing operating costs while improving the lubrication of rotating parts. |
| <ul style="list-style-type: none"> Integrated temperature compensation with a wide range of service temperatures. | <ul style="list-style-type: none"> High level of reliability: controlled grease flow, unaffected by temperature for the entire duration of distribution. Universal usage. |
| <ul style="list-style-type: none"> Compact design with reinforced flange. | <ul style="list-style-type: none"> Robust, easy to install, even in confined locations. |
| <ul style="list-style-type: none"> Certification   I M1 Ex ia I Ma II 2G Ex ia IIC T4 Gb II 2D Ex ia IIC T 135°C Db ZELM IO ATEX 0434X | <ul style="list-style-type: none"> Can be used in explosive areas. |
| <ul style="list-style-type: none"> Protection IP65. | <ul style="list-style-type: none"> Can be used in many dusty and humid environments. |
| <ul style="list-style-type: none"> Transparent tank in high density polyamide. | <ul style="list-style-type: none"> Easy to check grease level. Can operate in all positions. |
| <ul style="list-style-type: none"> Flow limiter valve integrated in the oil version. | <ul style="list-style-type: none"> Simple installation. |

D • TECHNICAL DATA

Drive: **gas generating cells with electronic temperature compensation**

Capacity : **125 cm³**

Max. pressure : **6 bars**

Duration of distribution : **1, 2, 3,...12 months**

Immediate start-up: **1 day**

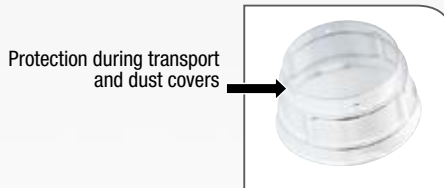
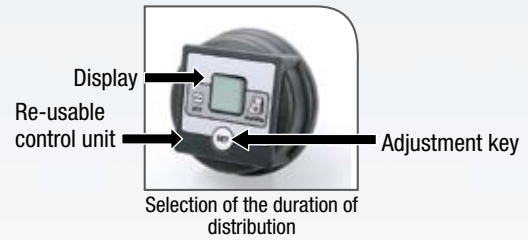
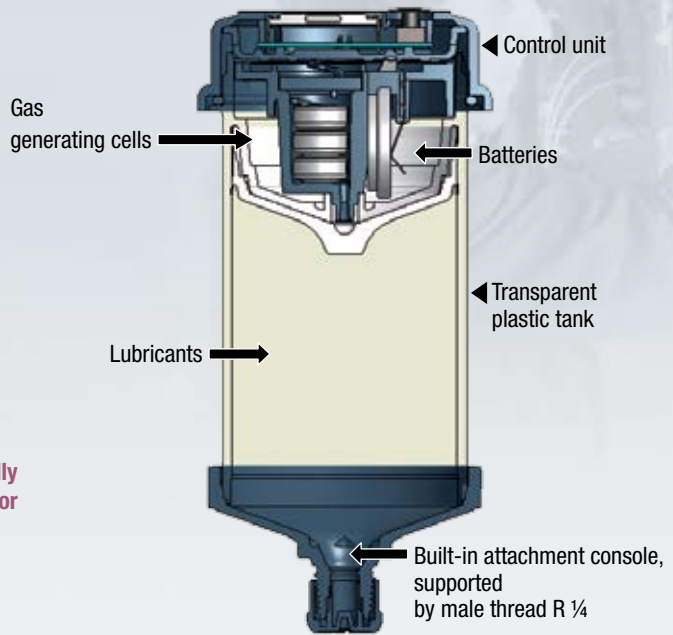
Service temperature: **from -20°C to +60°C**

Available with advanced NTN-SNR greases, especially developed for bearings, and with special synthetic oil for chains. Contact us for other types of lubricants.

E • DESIGNATION

LUBER SMART (name of the grease) : Complete kit including: control unit + lubricant tank with gas generating cells and batteries + protective covers).

LUBER SMART REFILL (name of the grease) : Lubricant tank with gas generating cells and batteries + protective covers).



| DESIGNATION | PRODUCT | LUBRICANT |
|------------------------------------|------------------------|---|
| LUBER SMART 125 UNIVERSAL+ | SMART BOOSTER complete | Grease UNIVERSAL + (General usage) |
| LUBER SMART REFILL 125 UNIVERSAL+ | Refill unit | |
| LUBER SMART 125 HEAVY DUTY+ | SMART BOOSTER complete | Grease HEAVY DUTY + (High loads) |
| LUBER SMART REFILL 125 HEAVY DUTY+ | Refill unit | |
| LUBER SMART 125 HIGH TEMP | SMART BOOSTER complete | Grease HIGH TEMP (High temperatures) |
| LUBER SMART REFILL 125 HIGH TEMP | Refill unit | |
| LUBER SMART 125 VIB | SMART BOOSTER complete | Grease VIB (Vibrations and shocks) |
| LUBER SMART REFILL 125 VIB | Refill unit | |
| LUBER SMART 125 FOOD | SMART BOOSTER complete | Grease FOOD (Compatible with food contact) |
| LUBER SMART REFILL 125 FOOD | Refill unit | |
| LUBER SMART 125 CHAIN OIL | SMART BOOSTER complete | Oil CHAIN OIL (High performance for chains) |
| LUBER SMART REFILL 125 CHAIN OIL | Refill unit | |