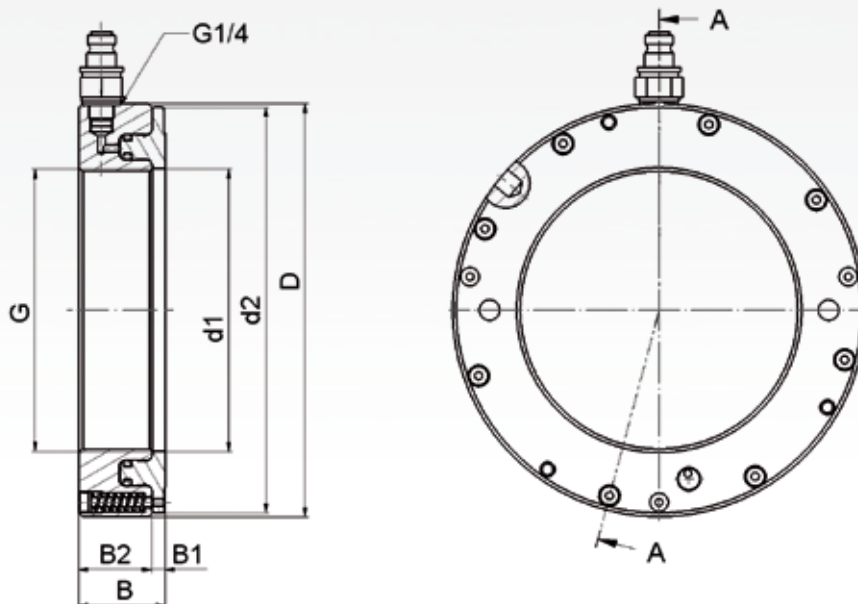


TECHNICAL DATA

HYDRAULIC NUTS (equipped with automatic piston return device)	
References	TOOL HMV (size) EBF / Hydraulic Nut (metric) TOOL HMVC (size) EBF / Hydraulic Nut (inches)
Materials	
HMV 10 EBF – HMV 40 EBF	Fine metric thread according to ISO 965-1998 Class 6H tolerance
HMV 41 EBF – HMV 200 EBF	Trapezoidal thread according to ISO 2901-1993 Class 7H tolerance
Nuts Sizes \leq HMV 54 EBF Sizes \leq HMV 92 EBF Sizes \leq HMV 200 EBF	Recommended pump references: Pump 700b-0.3 l / Pump 700b-0.9 l Pump 700b-0.9 l Pump 1500b-2,5L
Component Reference - hydraulic nuts	
Set of O-rings	Nut Reference followed by / Piston Seals: Example: TOOL HMV 15 / Piston Seals
Ball valve	1500 bar Reference: TOOL HMV BALL PLUG 1/4
Quick coupling connection (male)	With seal washer and connecting nipple Reference : TOOL HMV NIPPLE 1/4 Dimensions: see page 50

A-A (1 : 2)



DIMENSIONS (MM) AND WEIGHT (KG) OF HYDRAULIC NUTS (metric)

Size	Thread	Outside diameter (mm)	Total width (mm)	Piston diameter (mm)	Permissible stroke of the piston (mm)	Flange width (mm)	Body width (mm)	Diameter (mm)	Surface of the piston (mm ²)	Weight (kg)
HMV ... EBF	G	D	B	max. d2		B1	B2	d1		
10	M50x1,5	114	43	110	5	5	38	50.5	2850	2.9
11	M55x2	120	43	116	5	5	38	55.5	3050	3
12	M60x2	125	43	121	5	5	38	60.5	3250	3
13	M65x2	130	43	126	5	5	38	65.5	3500	3.2
14	M70x2	135	43	131	5	5	38	70.5	3650	3.4
15	M75x2	140	43	136	5	5	38	75.5	3850	3.6
16	M80x2	146	43	142	5	5	38	80.5	4150	3.9
17	M85x2	150	43	146	5	5	38	85.5	4300	4
18	M90x2	156	43	152	5	5	38	90.5	4850	4.2
19	M95x2	162	43	158	5	5	38	95.5	5050	4.5
20	M100x2	166	44	162	5	6	38	100.5	5100	4.6
21	M105x2	172	44	168	5	6	38	105.5	5200	4.9
22	M110x2	178	44	174	5	6	38	110.5	5400	5.2
23	M115x2	182	44	178	5	6	38	115.5	5800	5.2
24	M120x2	188	44	184	5	6	38	120.5	5950	5.5
25	M125x2	192	44	188	5	6	38	125.5	6350	5.6
26	M130x2	198	44	194	5	6	38	130.5	6450	5.9
27	M135x2	204	44	200	5	6	38	135.5	6900	6.1
28	M140x2	208	45	204	5	7	38	140.5	7250	6.2
29	M145x2	214	46	210	5	7	39	145.5	7400	6.7
30	M150x2	220	46	216	5	7	39	150.5	7600	6.8
31	M155x3	226	46	222	5	7	39	155.5	8450	7.2
32	M160x3	232	47	228	6	7	40	160.5	8650	7.8
33	M165x3	238	47	234	6	7	40	165.5	8750	8.1
34	M170x3	244	48	240	6	7	41	170.5	9800	8.6
36	M180x3	256	48	252	6	7	41	180.5	11250	9.4
38	M190x3	270	50	266	7	8	42	191	11800	10.7
40	M200x3	282	51	278	8	8	43	201	12100	11.7
41	Tr205x4	288	51	284	8	8	43	207	13050	12.2
42	Tr210x4	294	52	290	9	8	44	212	13400	12.7
43	Tr215x4	300	52	296	9	8	44	217	14050	13.2
44	Tr220x4	306	52	302	9	8	44	222	14800	13.7
45	Tr225x4	312	53	308	9	8	45	227	15150	14.7
46	Tr230x4	318	53	314	9	8	45	232	15450	14.7
47	Tr235x4	326	54	322	10	8	46	237	16600	16.2
48	Tr240x4	330	55	326	10	9	46	242	17250	16.2
50	Tr250x4	342	55	338	10	9	46	252	17550	17.7
52	Tr260x4	356	56	352	11	9	47	262	19150	19.2
54	Tr270x4	368	57	364	12	9	48	272	20350	20.7
56	Tr280x4	380	58	376	12	9	49	282	21050	22.2
58	Tr290x4	390	58	386	13	9	49	292	22350	22.7
60	Tr300x4	404	61	400	14	10	51	302	23600	25.7

TECHNICAL DATA

DIMENSIONS (MM) AND WEIGHT (KG) OF HYDRAULIC NUTS (metric)

Size	Thread	Outside diameter (mm)	Total width (mm)	Piston diameter (mm)	Permissible stroke of the piston (mm)	Flange width (mm)	Body width (mm)	Diameter (mm)	Surface of the piston (mm ²)	Weight (kg)
HMV ... EBF	G	D	B	max. d2		B1	B2	d1		
62	Tr310x5	416	62	412	14	10	52	312	24850	27.2
64	Tr320x5	428	63	424	14	10	53	322	26250	29.7
66	Tr330x5	438	63	434	14	10	53	332	27500	30.2
68	Tr340x5	450	64	446	14	10	54	342	27750	31.7
69	Tr345x5	456	64	452	14	10	54	347	29350	32.7
70	Tr350x5	464	66	460	14	10	56	352	29800	35.2
72	Tr360x5	472	66	468	15	10	56	362	31250	35.7
73	Tr365x5	482	68	478	15	11	57	367	31600	38.7
74	Tr370x5	486	68	482	16	11	57	372	33300	39.2
76	Tr380x5	498	69	494	16	11	58	382	33500	40.7
77	Tr385x5	504	69	500	16	11	58	387	34050	41.2
80	Tr400x5	522	71	518	17	11	60	402	36600	45.7
82	Tr410x5	534	72	530	17	11	61	412	38200	48.2
84	Tr420x5	546	72	542	17	11	61	422	39900	50.2
86	Tr430x5	556	73	552	17	11	62	432	40750	52.7
88	Tr440x5	566	74	562	17	12	62	442	42400	54.2
90	Tr450x5	580	76	576	17	12	64	452	44100	57.7
92	Tr460x5	590	76	586	17	12	64	462	45100	60.2
94	Tr470x5	602	77	598	18	12	65	472	46800	62.2
96	Tr480x5	612	77	608	19	12	65	482	48600	63.2
98	Tr490x5	624	78	620	19	12	66	492	49500	66.2
100	Tr500x5	636	79	630	19	12	67	502	49950	70.2
102	Tr510x6	648	80	642	20	12	68	512	53300	74.2
104	Tr520x6	658	81	652	20	13	68	522	54250	75.2
106	Tr530x6	670	82	664	21	13	69	532	56150	79.2
108	Tr540x6	682	82	676	21	13	69	542	58200	81.2
110	Tr550x6	693	83	687	21	13	70	552	59150	84.2
112	Tr560x6	704	84	698	22	13	71	562	61150	88.2
114	Tr570x6	716	85	710	23	13	72	572	63200	91.2
116	Tr580x6	726	85	720	23	13	72	582	64200	94.2
120	Tr600x6	748	86	742	23	13	73	602	67400	100.2
126	Tr630x6	782	88	776	23	14	74	632	72850	110.2
130	Tr650x6	804	89	798	23	14	75	652	76100	115.2
134	Tr670x6	826	90	820	24	14	76	672	79450	120.2
138	Tr690x6	848	91	842	25	14	77	692	84200	127.2
142	Tr710x7	870	93	864	25	15	78	712	87700	135.2
150	Tr750x7	912	94	906	25	15	79	752	95050	146.2
160	Tr800x7	965	96	959	25	16	80	802	103800	161.2
170	Tr850x7	1020	99	1014	26	16	83	852	114450	181.2
180	Tr900x7	1075	103	1069	30	17	86	902	123950	205.2
190	Tr950x8	1126	103	1120	30	17	86	952	135450	218.2
200	Tr1000x8	1180	105	1174	34	17	88	1002	145700	239.2

DIMENSION (MM) AND WEIGHT (KG) OF HYDRAULIC NUTS (dimension in inches)

Size	Thread	Number of threads per inch	Outside diameter (in.)	Total width (in.)	Piston diameter (in.)	Permissible stroke of the piston (in.)	Flange width (in.)	Body width (in.)	Diameter (in.)	Surface of the piston (in. ²)	Weight (lb)
HMVC ... EBF	G		D	B	max. d2		B1	B2	d1		
10	1.967	18	4.5	1.7	4.4	0.20	0.20	1.5	2.0	4.4	6.3
11	2.157	18	4.7	1.7	4.6	0.20	0.20	1.5	2.2	4.8	6.8
12	2.360	18	4.9	1.7	4.8	0.20	0.20	1.5	2.4	5.1	7.2
13	2.548	18	5.1	1.7	5.0	0.20	0.20	1.5	2.6	5.4	7.6
14	2.751	18	5.3	1.7	5.2	0.20	0.20	1.5	2.8	5.8	7.9
15	2.933	12	5.5	1.7	5.4	0.20	0.20	1.5	3.0	6.1	8.3
16	3.137	12	5.7	1.7	5.6	0.20	0.20	1.5	3.2	6.4	8.7
17	3.340	12	5.9	1.7	5.8	0.20	0.20	1.5	3.4	6.7	9.1
18	3.527	12	6.1	1.7	6.0	0.20	0.20	1.5	3.6	6.8	9.5
19	3.730	12	6.4	1.7	6.2	0.20	0.20	1.5	3.8	7.5	10.0
20	3.918	12	6.5	1.7	6.4	0.20	0.24	1.5	4.0	7.5	10.4
21	4.122	12	6.8	1.7	6.6	0.20	0.24	1.5	4.2	8.1	11.0
22	4.325	12	7.0	1.7	6.9	0.20	0.24	1.5	4.4	8.8	11.6
24	4.716	12	7.4	1.7	7.2	0.20	0.24	1.5	4.8	9.4	12.4
26	5.106	12	7.8	1.7	7.6	0.20	0.24	1.5	5.2	10.1	13.2
28	5.497	12	8.2	1.8	8.0	0.20	0.28	1.5	5.6	10.7	14.3
30	5.888	12	8.7	1.8	8.5	0.20	0.28	1.5	6.0	12.3	16.0
32	6.284	8	9.1	1.9	9.0	0.24	0.28	1.6	6.4	14.0	18.0
34	6.659	8	9.6	1.9	9.4	0.24	0.28	1.6	6.8	15.8	19.9
36	7.066	8	10.1	1.9	9.9	0.24	0.28	1.6	7.2	17.7	21.5
38	7.472	8	10.6	2.0	10.5	0.28	0.31	1.7	7.6	18.5	24.9
40	7.847	8	11.1	2.0	10.9	0.31	0.31	1.7	8.0	19.4	27.3
44	8.628	8	12.0	2.0	11.9	0.31	0.31	1.7	8.8	21.1	31.9
46	9.125	8	12.5	2.1	12.4	0.31	0.31	1.8	9.2	21.9	34.7
48	9.442	6	13.0	2.2	12.8	0.35	0.35	1.8	9.6	25.4	37.8
52	10.192	6	14.0	2.2	13.9	0.35	0.35	1.9	10.4	27.2	44.4
56	11.004	6	15.0	2.3	14.8	0.39	0.35	1.9	11.2	30.7	51.4
60	11.785	6	16.1	2.4	16.0	0.39	0.39	2.0	12.0	37.0	64.4
64	12.562	6	16.9	2.5	16.8	0.43	0.39	2.1	12.8	39.2	70.8
68	13.339	5	17.7	2.5	17.6	0.47	0.39	2.1	13.5	41.4	75.7
72	14.170	5	18.9	2.6	18.7	0.51	0.39	2.2	14.3	51.8	89.7
76	14.957	5	19.7	2.7	19.5	0.55	0.43	2.3	15.1	54.4	98.2
80	15.745	5	20.9	2.8	20.7	0.55	0.43	2.4	15.9	54.8	116.4
84	16.532	5	21.9	2.8	21.7	0.55	0.43	2.4	16.7	60.8	127.7
88	17.319	5	22.6	2.9	22.5	0.55	0.43	2.4	17.5	63.4	134.1
92	18.107	5	23.6	3.0	23.5	0.59	0.47	2.5	18.3	71.3	150.6
96	18.894	5	24.4	3.0	24.3	0.63	0.47	2.6	19.1	78.2	158.0
100	19.682	5	25.6	3.1	25.4	0.63	0.47	2.6	19.8	85.7	181.6
106	20.867	4	26.8	3.2	26.6	0.67	0.51	2.7	21.0	85.89	199.4
112	22.048	4	28.1	3.3	28.0	0.71	0.51	2.8	22.2	87.0	221.1
120	23.623	4	29.9	3.4	29.8	0.75	0.51	2.9	23.8	101.0	249.2
126	24.804	4	31.1	3.5	30.9	0.75	0.55	2.9	25.0	105.6	266.4
134	26.379	4	33.1	3.5	32.9	0.87	0.55	3.0	26.5	125.3	307.8
142	27.961	3	34.6	3.7	34.5	0.91	0.59	3.1	28.1	132.1	337.1
150	29.536	3	36.2	3.7	36.1	0.91	0.59	3.1	29.7	138.9	358.1
160	31.504	3	38.2	3.8	38.0	0.98	0.63	3.1	31.7	147.4	387.1
170	33.473	3	40.6	3.9	40.4	1.02	0.63	3.3	33.6	179.2	448.0
180	35.441	3	43.3	4.1	43.1	1.10	0.67	3.4	35.6	238.6	545.6
190	37.410	3	45.3	4.1	45.1	1.10	0.67	3.4	37.6	250.8	575.3